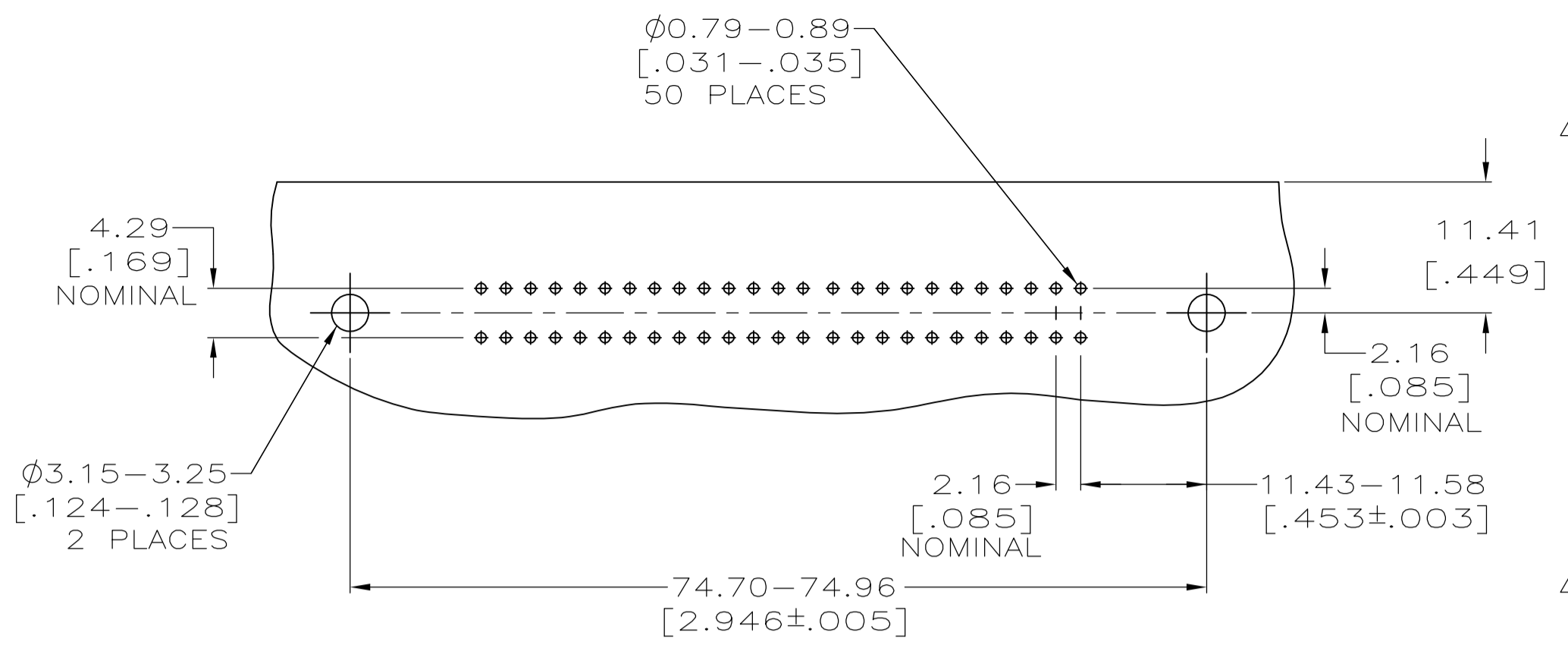
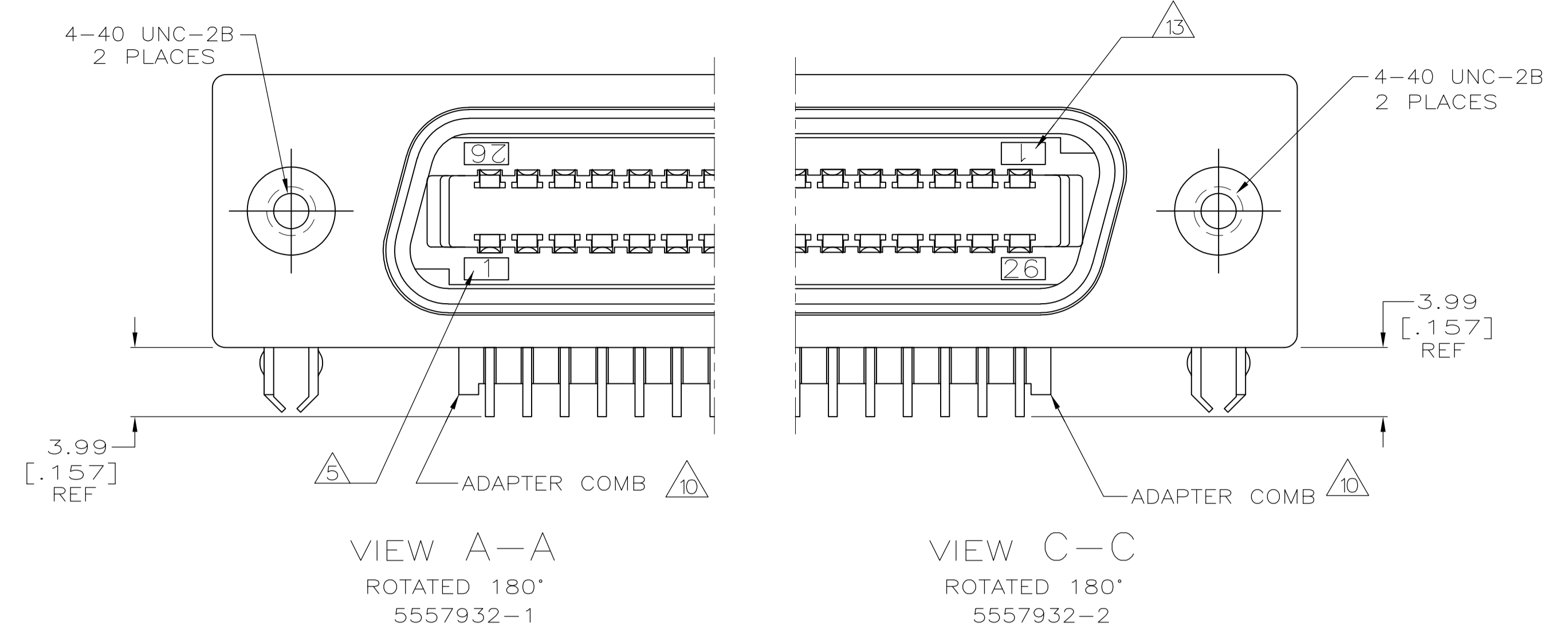
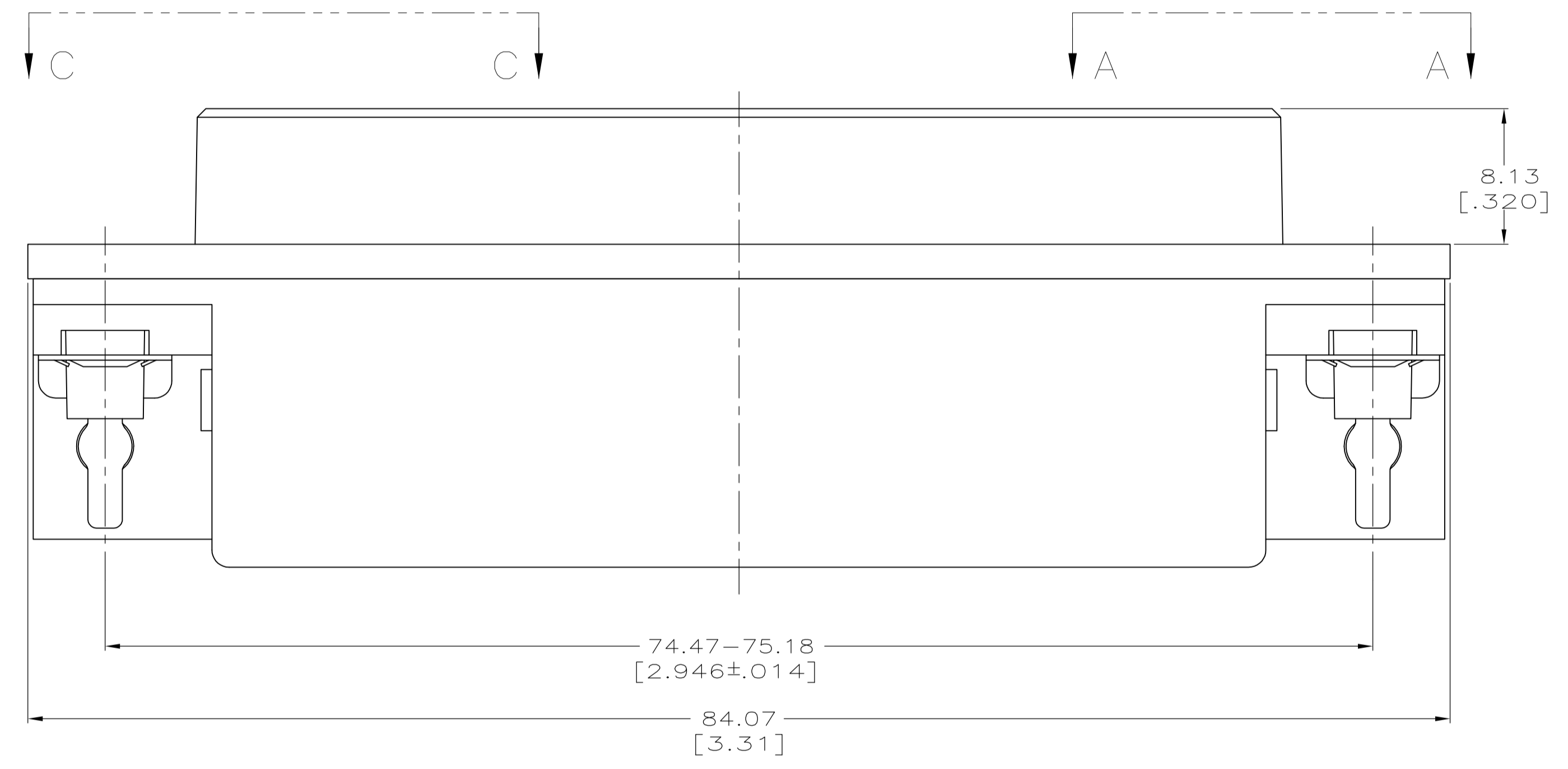


LOC		DIST		REVISIONS			
GP	00	REV	DATE	BY	APPV	DATE	BY
B		REVISED PER ECO-08-007327	09APR08	BM	WM		

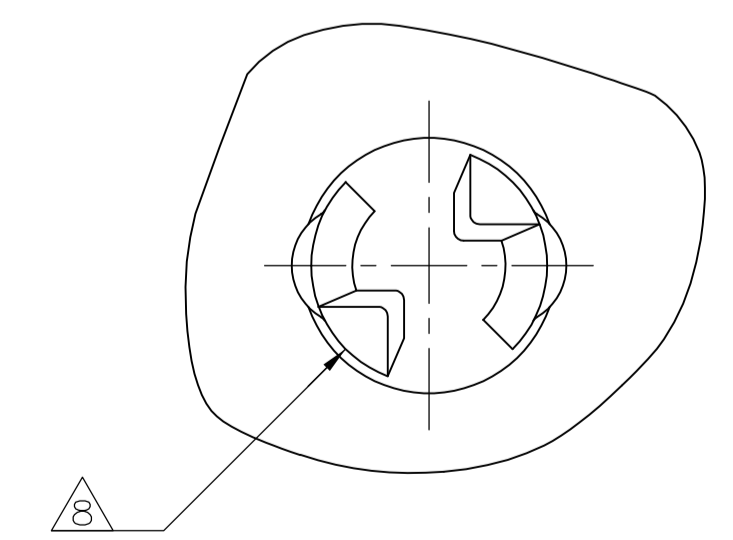
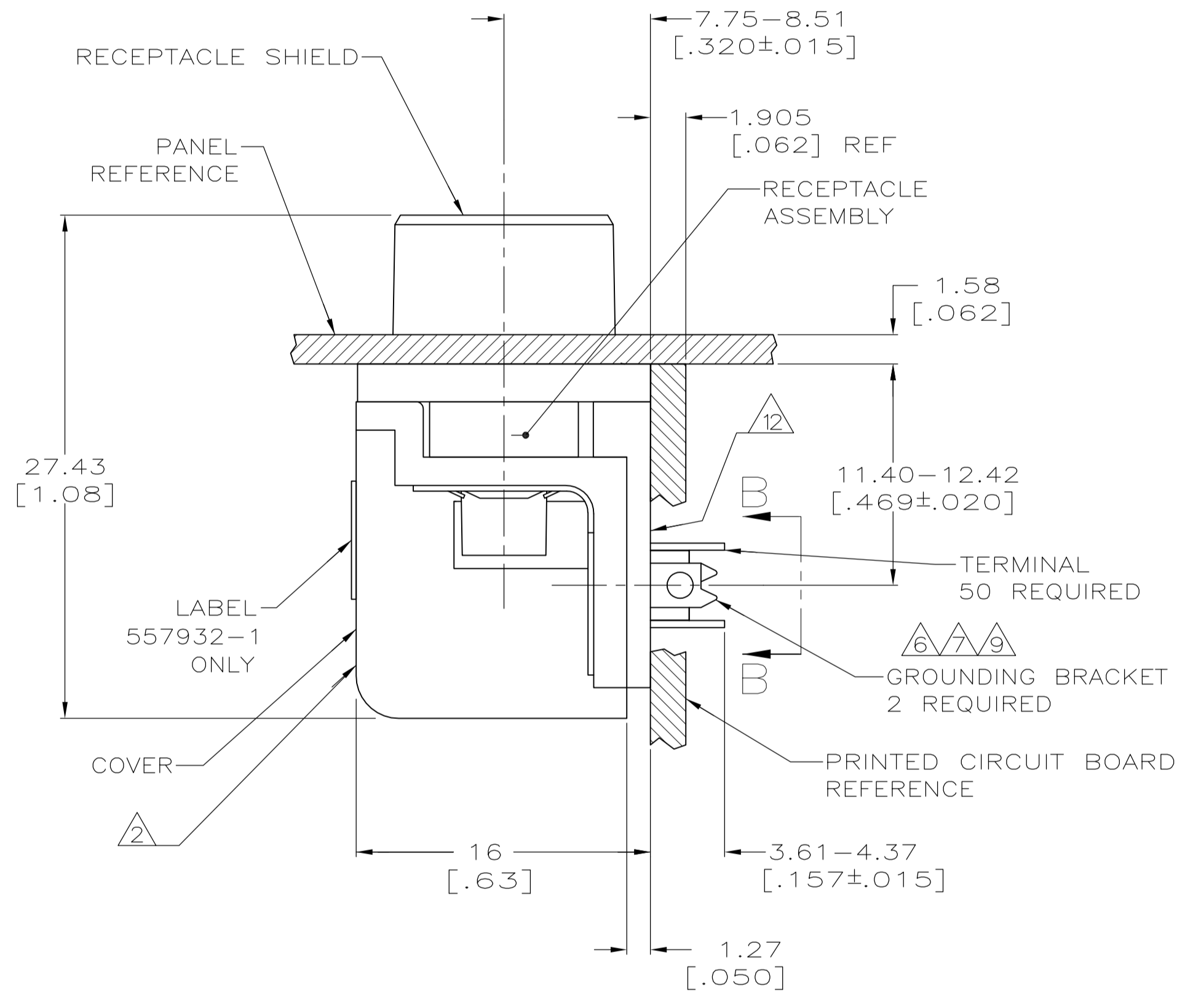


SUGGESTED PRINTED CIRCUIT BOARD MOUNTING DIMENSIONS SCALE 2:1

- 1 MATERIAL: SUPPORT PLATE - POLYESTER, NATURAL (OR EQUIVALENT); HOUSING & ADAPTER COMB - POLYESTER, BLACK. RECEPTACLE SHIELD - BRIGHT NICKEL OVER COPPER PLATED ZINC. TERMINALS - HIGH STRENGTH COPPER ALLOY PLATED WITH EITHER 0.76µm [.000030] MIN GOLD PLATE OR GOLD FLASH OVER PALLADIUM NICKEL PLATE, 0.76µm [.000030] MIN TOTAL ON MATING SURFACE. 3.05µm [.000120] MIN TIN PLATE ON TAILS. ALL OVER 1.27µm [.000050] MIN NICKEL UNDERPLATE OVER ENTIRE TERMINAL. GROUND BRACKET - TIN PLATED CARBON STEEL.
- 2 COVER - POLYESTER, NATURAL, (OR EQUIVALENT), PLATED MATTE COPPER 3.81µm [.000150] MINIMUM THICK, BENEATH MATTE NICKEL PLATE, 3.81µm [.000150] MINIMUM THICK.
- 3. CENTER TO CENTER SPACING OF TERMINALS IS 2.16 [.085] NOMINAL.
- 4 ALL DIMENSIONS SHOWN ARE MAXIMUM UNLESS OTHERWISE SPECIFIED.
- 5 TERMINAL 1 LOCATED IN THIS ROW FOR REVERSE ORIENTATION. SEE VIEW A-A.
- 6 GROUNDING BRACKET RETAINS CONNECTOR IN 1.57 [.062] THICK PC BOARD WITHOUT ADDITIONAL HARDWARE.
- 7 GROUNDING BRACKET LOCATES CONNECTOR FLUSH WITH TOP OF PC BOARD AND SPRING LOCKS BENEATH.
- 8 CYLINDRICAL SHAPE OFFERS 180° OF SOLDERING SURFACE.
- 9 SURFACE AREA OF GROUNDING BRACKET BELOW PC BOARD SHALL PASS SOLDERABILITY REQUIREMENTS IN ACCORDANCE WITH TE SPECIFICATION 109-11-2. DISCOLORATION, SCRATCHES, SPOTS AND OTHER COSMETIC DEFICIENCIES TYPICAL OF BARREL PLATING PROCESSES ARE ACCEPTABLE PROVIDING PARTS PASS 24 HOUR EXPOSURE AT 95% RH AT 40°C WITHOUT EVIDENCE OF CORROSION.
- 10 IF TERMINALS DO NOT EXTEND BELOW COMB, SHALL BE PARTIALLY RETRACTED BEFORE INSERTING CONNECTOR INTO PC BOARD.
- 11. THE CONTACT SURFACES OF THE TERMINALS ARE COATED WITH LUBRICANT.
- 12 SUPPORT PLATE (UNPLATED).
- 13 TERMINAL 1 LOCATED IN THIS ROW FOR STANDARD ORIENTATION. SEE VIEW C-C.



SUGGESTED REAR PANEL MOUNTING CUTOUT DIMENSIONS



VIEW B-B SCALE 10:1

STANDARD ORIENTATION, VIEW C-C		5557932-2
REVERSE ORIENTATION, VIEW A-A		5557932-1
DESCRIPTION		PART NUMBER
RECEPTACLE ASSEMBLY, SHIELDED, RIGHT ANGLE, 50 POSITION, BOARD LOCK, PLATED COVER, AND SCREW LOCK, CHAMP		
MATERIAL: POLYESTER, NATURAL (OR EQUIVALENT); HOUSING & ADAPTER COMB - POLYESTER, BLACK. RECEPTACLE SHIELD - BRIGHT NICKEL OVER COPPER PLATED ZINC. TERMINALS - HIGH STRENGTH COPPER ALLOY PLATED WITH EITHER 0.76µm [.000030] MIN GOLD PLATE OR GOLD FLASH OVER PALLADIUM NICKEL PLATE, 0.76µm [.000030] MIN TOTAL ON MATING SURFACE. 3.05µm [.000120] MIN TIN PLATE ON TAILS. ALL OVER 1.27µm [.000050] MIN NICKEL UNDERPLATE OVER ENTIRE TERMINAL. GROUND BRACKET - TIN PLATED CARBON STEEL.		
TOLERANCES UNLESS OTHERWISE SPECIFIED:		
0. PLC	± .005	
1. PLC	± .005	
2. PLC	± .005	
3. PLC	± .005	
4. PLC	± .005	
ANGLES	± .005	
MATERIAL: POLYESTER, NATURAL (OR EQUIVALENT); HOUSING & ADAPTER COMB - POLYESTER, BLACK. RECEPTACLE SHIELD - BRIGHT NICKEL OVER COPPER PLATED ZINC. TERMINALS - HIGH STRENGTH COPPER ALLOY PLATED WITH EITHER 0.76µm [.000030] MIN GOLD PLATE OR GOLD FLASH OVER PALLADIUM NICKEL PLATE, 0.76µm [.000030] MIN TOTAL ON MATING SURFACE. 3.05µm [.000120] MIN TIN PLATE ON TAILS. ALL OVER 1.27µm [.000050] MIN NICKEL UNDERPLATE OVER ENTIRE TERMINAL. GROUND BRACKET - TIN PLATED CARBON STEEL.		
FINISH: POLYESTER, NATURAL (OR EQUIVALENT), PLATED MATTE COPPER 3.81µm [.000150] MINIMUM THICK, BENEATH MATTE NICKEL PLATE, 3.81µm [.000150] MINIMUM THICK.		
CUSTOMER DRAWING		

THIS DRAWING IS A CONTROLLED DOCUMENT.		Tyco Electronics Corporation	
DIMENSIONS: mm [INCHES]		Tyco Electronics Corporation	
TOLERANCES UNLESS OTHERWISE SPECIFIED:		Harrisburg, PA 17105-3608	
0. PLC	± .005	APVD	W. MILLHIMES
1. PLC	± .005	NAME	RECEPTACLE ASSEMBLY, SHIELDED, RIGHT ANGLE, 50 POSITION, BOARD LOCK, PLATED COVER, AND SCREW LOCK, CHAMP
2. PLC	± .005	SIZE	A1
3. PLC	± .005	CAGE CODE	00779
4. PLC	± .005	DRAWING NO	5557932
ANGLES	± .005	WEIGHT	
MATERIAL: POLYESTER, NATURAL (OR EQUIVALENT); HOUSING & ADAPTER COMB - POLYESTER, BLACK. RECEPTACLE SHIELD - BRIGHT NICKEL OVER COPPER PLATED ZINC. TERMINALS - HIGH STRENGTH COPPER ALLOY PLATED WITH EITHER 0.76µm [.000030] MIN GOLD PLATE OR GOLD FLASH OVER PALLADIUM NICKEL PLATE, 0.76µm [.000030] MIN TOTAL ON MATING SURFACE. 3.05µm [.000120] MIN TIN PLATE ON TAILS. ALL OVER 1.27µm [.000050] MIN NICKEL UNDERPLATE OVER ENTIRE TERMINAL. GROUND BRACKET - TIN PLATED CARBON STEEL.		SCALE 4:1 SHEET 1 OF 1 REV B	
FINISH: POLYESTER, NATURAL (OR EQUIVALENT), PLATED MATTE COPPER 3.81µm [.000150] MINIMUM THICK, BENEATH MATTE NICKEL PLATE, 3.81µm [.000150] MINIMUM THICK.			